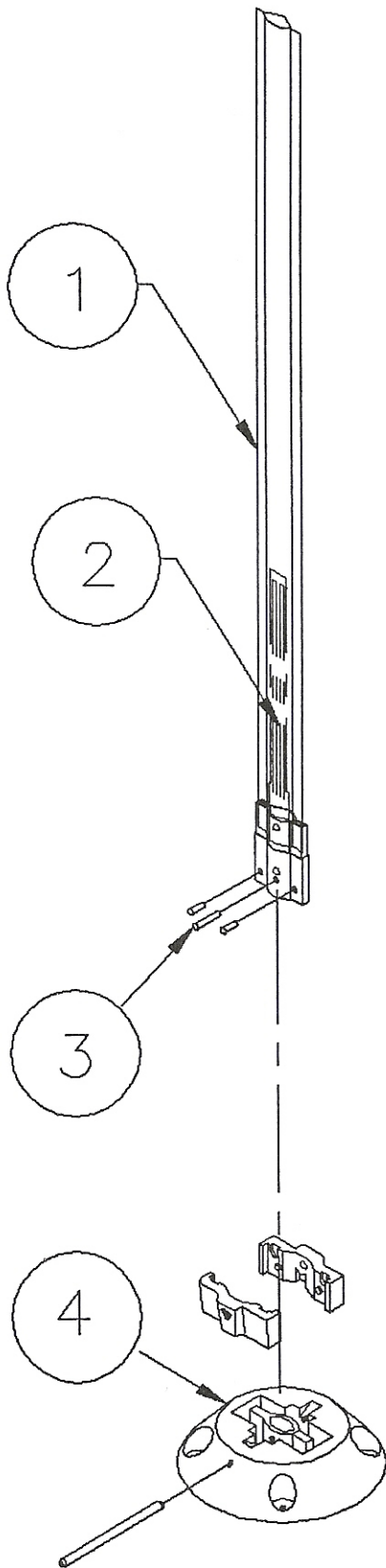


FLEXSTAKE

Catalog No.	Product Description
701	FLEXSTAKE HD 19"
702	FLEXSTAKE HD 2'
702.5	FLEXSTAKE HD 30"
703	FLEXSTAKE HD 3'
704	FLEXSTAKE HD 4'



Each product comes with the following:

- ① * HD TOP, 720 SERIES (MAT'L: POLYCARBONATE UV)
- ② * INSERT (MAT'L: REPROCESSED POLYETHYLENE)
- ③ * RIVETS (2 SHORT 3/16" X .565")
(1 LONG 3/16" X 1.04")
- ④ * SURFACE MOUNT BASE ASSEMBLY

To Select Color:

- W (WHITE)
- R (RED)
- O (ORANGE)
- Y (YELLOW)
- U (BLUE)
- B (~~BLACK~~) *B Row A*
- S (GREY)

Illustration: An HD 4' Top with an Insert and Sleeve.