

Hinged High Impact Surface Mount

web: www.flexstake.com ~ e-mail: fsi@flexstake.com

CAPABILITIES

The FlexStake Surface Mount SM is the only sensible choice for hi-traffic, hi-impact locations. Using the same color impregnated polycarbonate extrusion and flexible hinge as the virtually indestructible FlexStake HD, surface mounted SMs are still standing after eight years of hard road use. No matter where they are installed or how they are used, FlexStake SMs outlast every other surface mounted delineator on the market by an incredible margin. SMs are easy to assemble and quick to install. They can be mounted to concrete, asphalt, wood and other hard surfaces using lag bolts, butyl rubber, epoxy and even nails.

LONGEVITY

In certified tests to failure, FlexStake posts withstand up to 340 vehicular impacts at 30mph, over 75 at 55mph and numerous hits at 80mph. No other post on the market even comes close. In rigorous A-B comparison tests – in all kinds of weather – FlexStake posts are still standing after every other post being tested has bitten the dust. Since their longevity reduces replacement costs to almost zero, FlexStake SM and HD are the choice of many contractors. They are even FAA approved for use on airport runways.

CONSTRUCTION

FlexStake SM is a four part assembly: (1) The post and hinge (2) The base (3) The grips (4) The pin. Assembly is straightforward. Any damaged part except the base itself may be replaced without dismantling the base from the highway. In case the post itself is crimped, an easy repair kit (illustrated below) gives you a quick and long-lasting fix. Repair kits are available in all standard post colors.

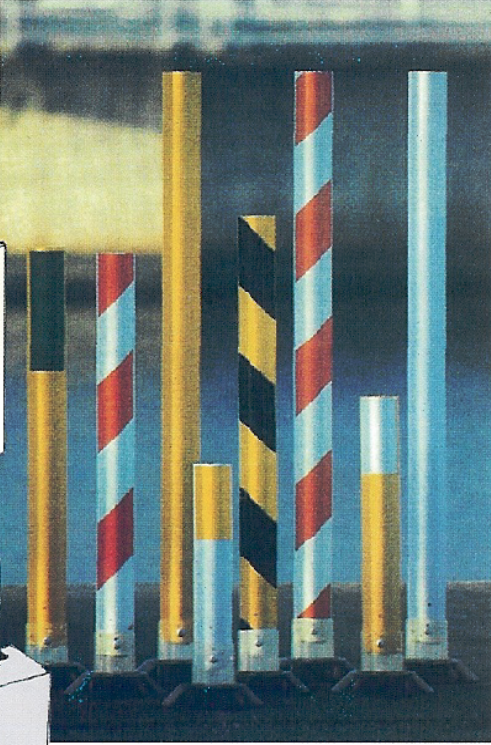
To meet federal and state environmental mandates, we use post-consumer recycled plastics whenever possible.

SIZES

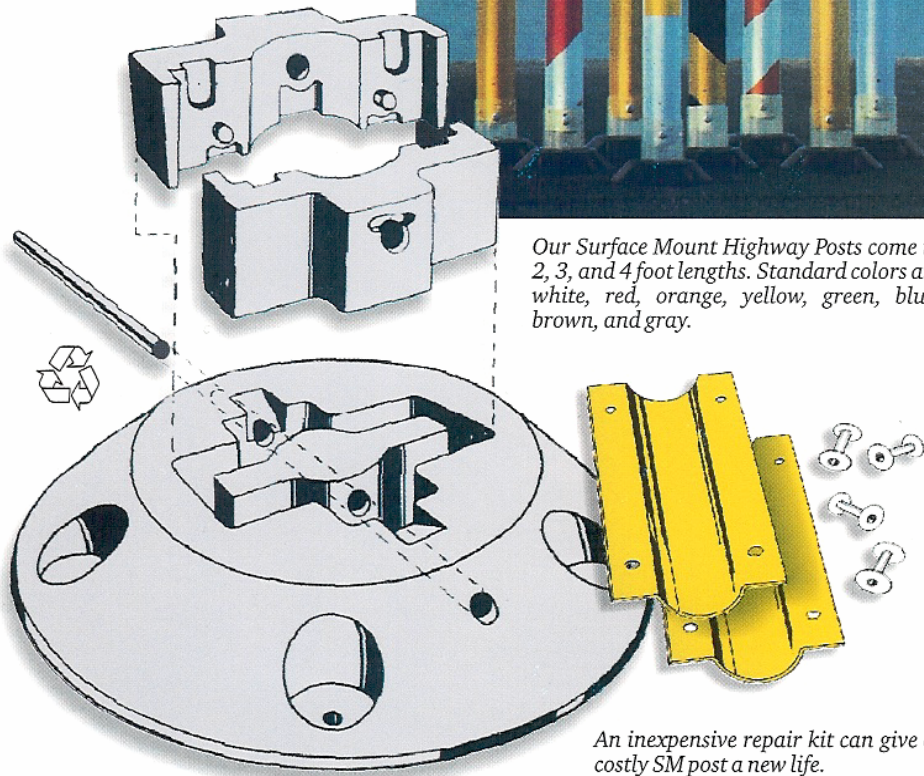
Standard heights (above ground) are 18", 2', 2.5', 3' and 4'. Standard post colors are white, red, orange, yellow, green, blue, brown, and gray. Other lengths and colors are available on special order.

SHEETING

May be fitted with federally approved reflective materials in white, red, orange yellow, green and blue. Barricade and other patterns are available on special order. When signage is required, HD can be fitted with any of our signs or labels.



Our Surface Mount Highway Posts come in 2, 3, and 4 foot lengths. Standard colors are white, red, orange, yellow, green, blue, brown, and gray.



An inexpensive repair kit can give a costly SM post a new life.

FLEXSTAKE™

2150 Andrea Lane, Fort Myers, FL 33912

Phone (800) 348-9839

941-481-3539

FAX 941-482-3539

FlexStake is the registered trademark of FlexStake Inc. All FlexStake products are covered by patent or patents pending. Illustrations are artists drawings that may not be exact renderings of the product. Specifications are subject to change without notice.